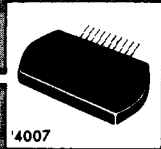


# STK-084,086, 085-105

thick film hybrid IC



50 to 30W min AF POWER

'4007

## Features

- © IMST, 1 Channel by 2 Power Supply.
- AF Output Power STK-084: 50 Wmin.  
STK-085-105: 60 Wmin.  
STK-086: 70 Wmin.
- Capable of setting protector for load shorting and tone controller.

## MAXIMUM RATINGS / Ta=25°C

		STK-084	STK-085 -105	STK-086	unit
Maximum Supply Voltage	V <sub>CC</sub> max	±50	±55	±55	V
Collector Current	I <sub>C</sub> max	7	—	7	A
Thermal Coefficient	θ <sub>j-c</sub> (T <sub>C</sub> =25°C)	1.7	—	1.4	°C/W
Operating Case Temperature	T <sub>C</sub>	85	105	85	°C
Storage Temperature	T <sub>sgt</sub>	-30 to +100	-30 to +105	-30 to +100	°C

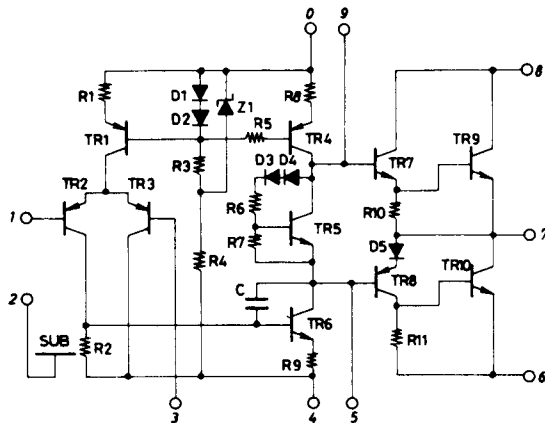
## RECOMMENDED OPERATION CONDITION / Ta=25°C

		STK-084	STK-085 -105	STK-086	unit
Recommended Supply Voltage	V <sub>CC</sub>	±35	±38	±42	V
Load Resistance	R <sub>L</sub>	→	→	8	ohm

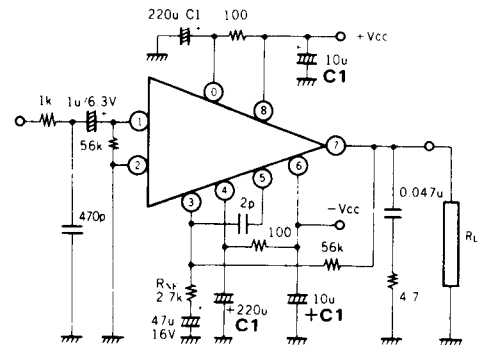
## OPERATION CHARACTERISTICS / Ta=25°C, recommended V<sub>CC</sub> supplied, R<sub>L</sub>=8 ohm, R<sub>g</sub>=600 ohm, V<sub>G</sub>=26.4dB

		STK-084	STK-085 -105	STK-086	unit
Quiescent Current	I <sub>CCO</sub>	→	→	100	mAmax
Output Power	P <sub>o</sub>	50	60	70	Wmin
					THD=0.2%, f=20 to 20 kHz
Distortion	THD	→	→	0.2	%max
					f=20 to 20 kHz rated output power
Frequency Response	f	→	→	10 to 100k	Hz
					P <sub>o</sub> =1W, +0 -1 dB
Input Resistance	r <sub>i</sub>	→	→	52k	ohm
					P <sub>o</sub> =1W, f=1 kHz

## EQUIVALENT CIRCUIT



## APPLICATION: AF Power Amp.



	C1
STK-084	50V
STK-085-105 STK-086	63V

See the operation characteristics on this specification.