

35

AD
8032AN
0043
I62457

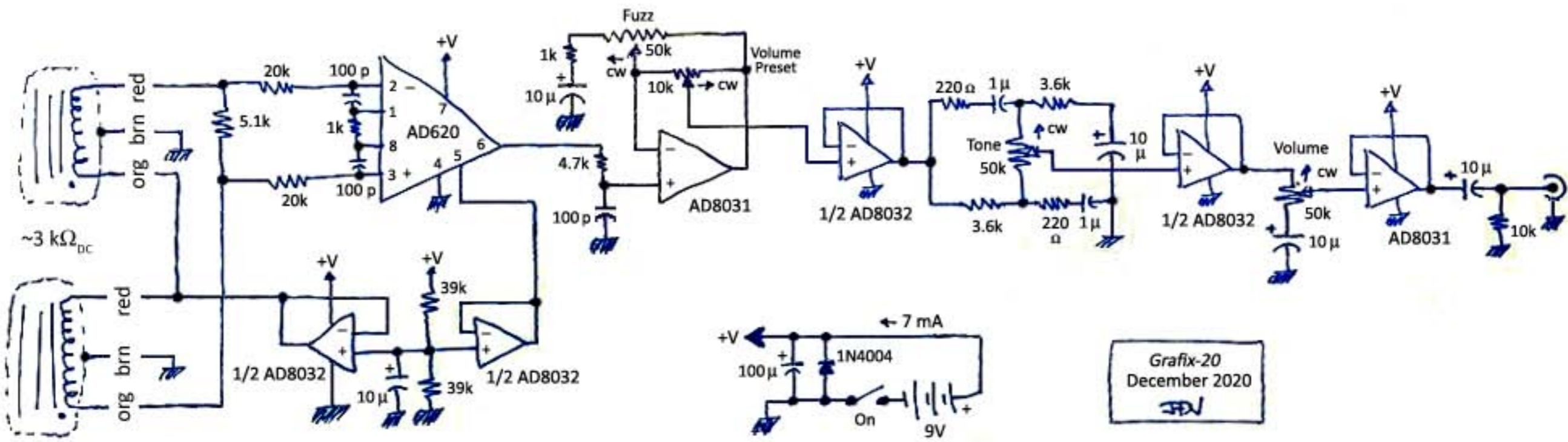
AD
8031
9926
H36075

20

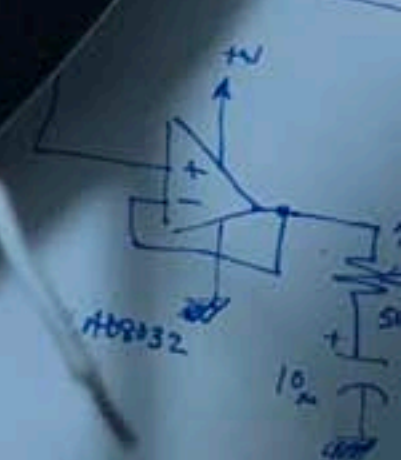
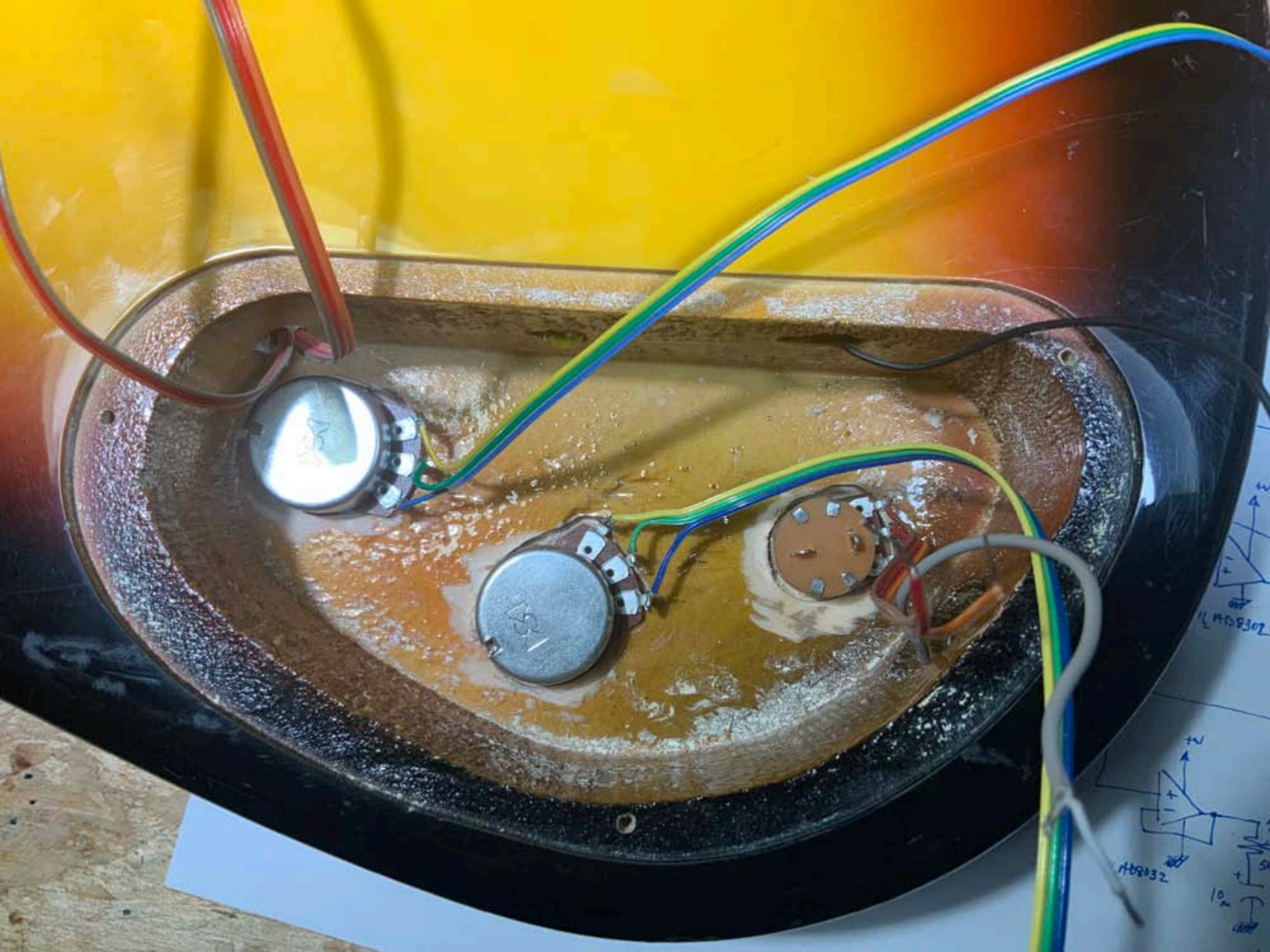
AD
8032AN
0043
I62457

AD
8031
9926
H36075

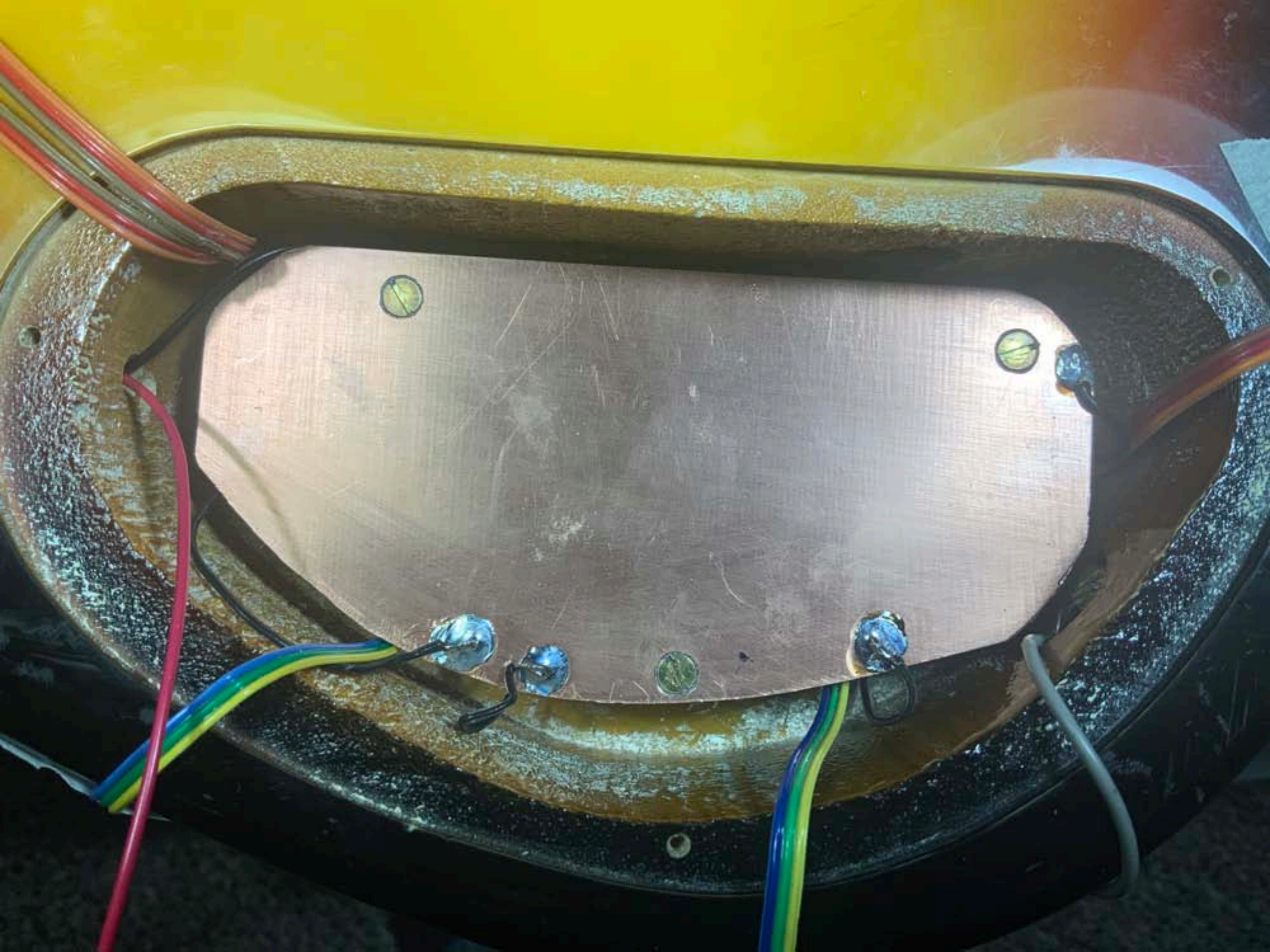
617B

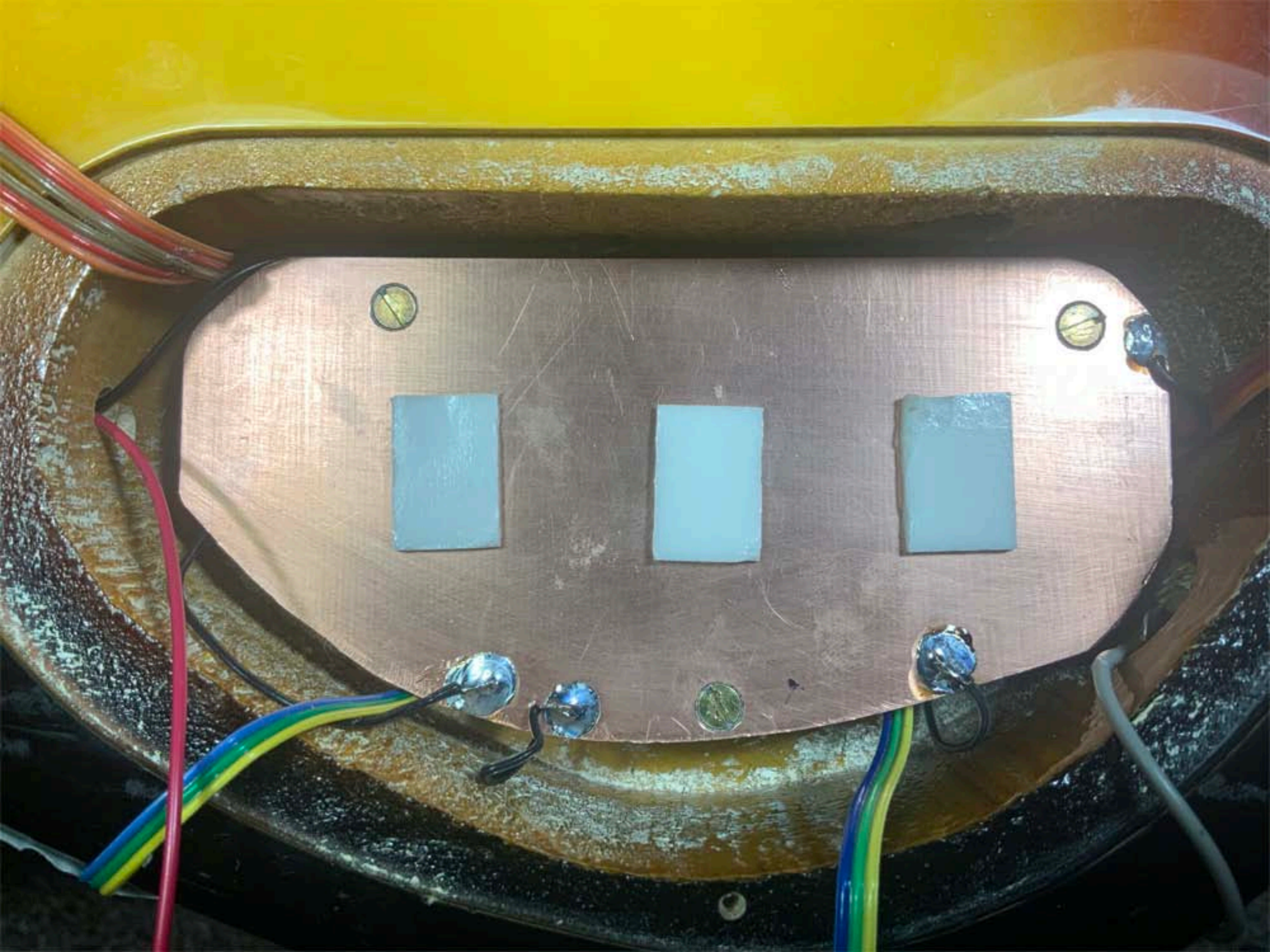


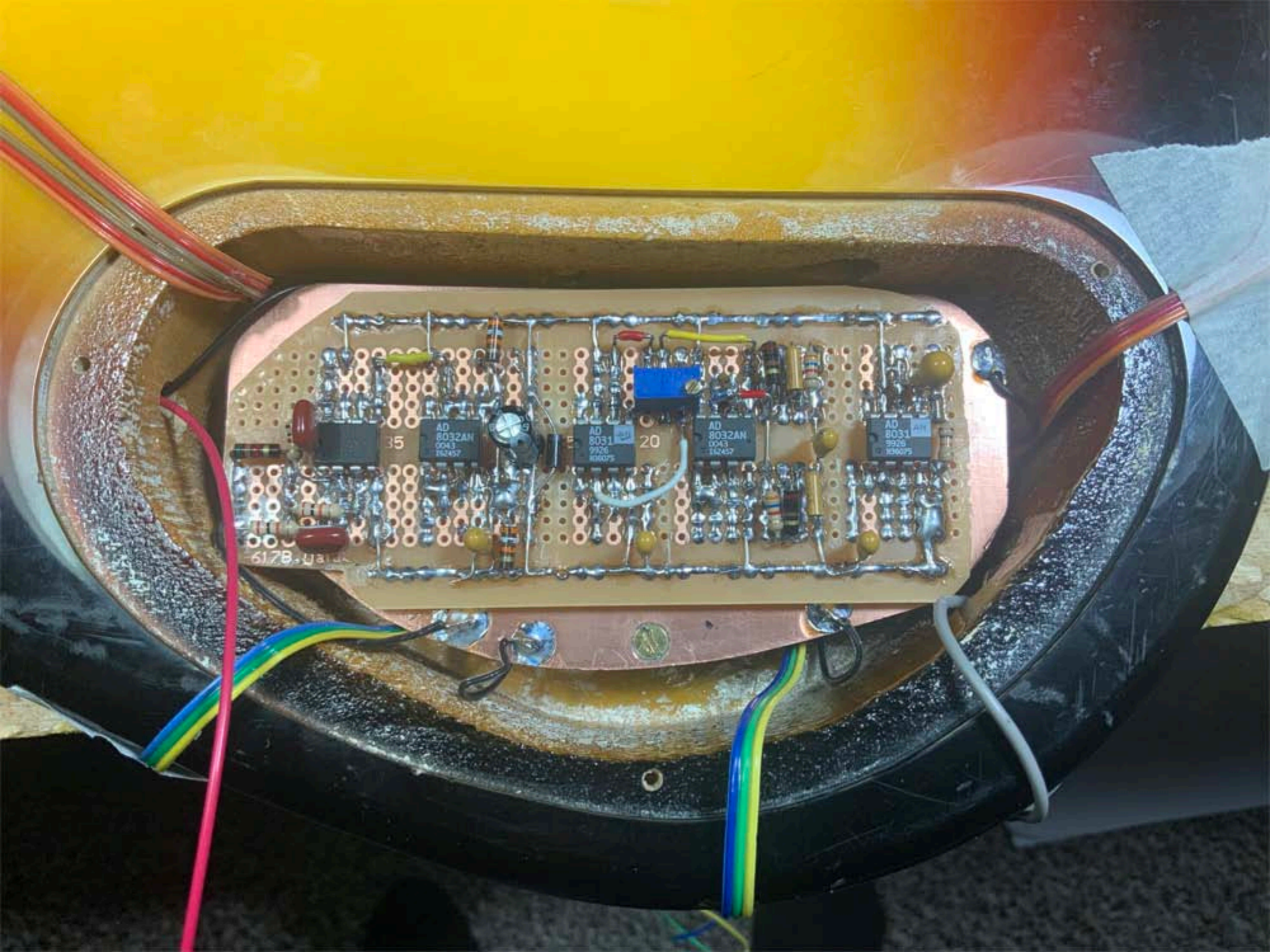
Graftix-20
 December 2020
 JFV











AD 8032AN
0043
162457

35

AD 8031
9926
162457

20

AD 8032AN
0043
162457

AD 8031
9926
162457

617B. uauk



AD 8032AN
0043
142457

15

AD 8031
3726
1086075

AD 8032AN
0043
142457

AD 8031
9926
1086075

10

18

19

20

21

22

23

24

25

26

27

28

29

30

31

32

33

34

35

36

37

38

39

40

41

42

43

44

45

46

47

48

49

50

51

52

53

54

55

56

57

58

59

60

61

62

63

64

65

66

67

68

69

70

71

72

73

74

75

76

77

78

79

80

81

82

83

84

85

86

87

88

89

90

91

92

93

94

95

96

97

98

99

100

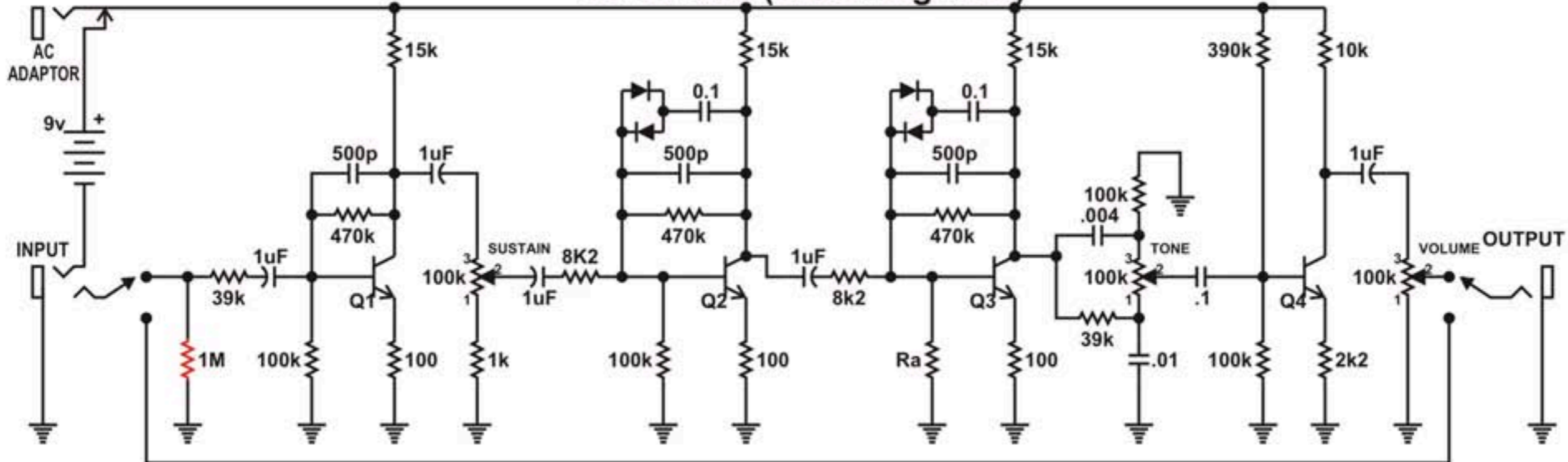


GRAN MANGO VARIANTS SCHEMATICS

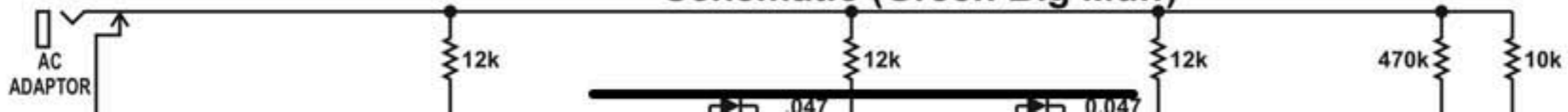
Rev.1.Jun.14.2005

Below are complete schematics of two famous variants along with the accepted stock schematic. Trademarks remain property of their owners and are used only for reference.

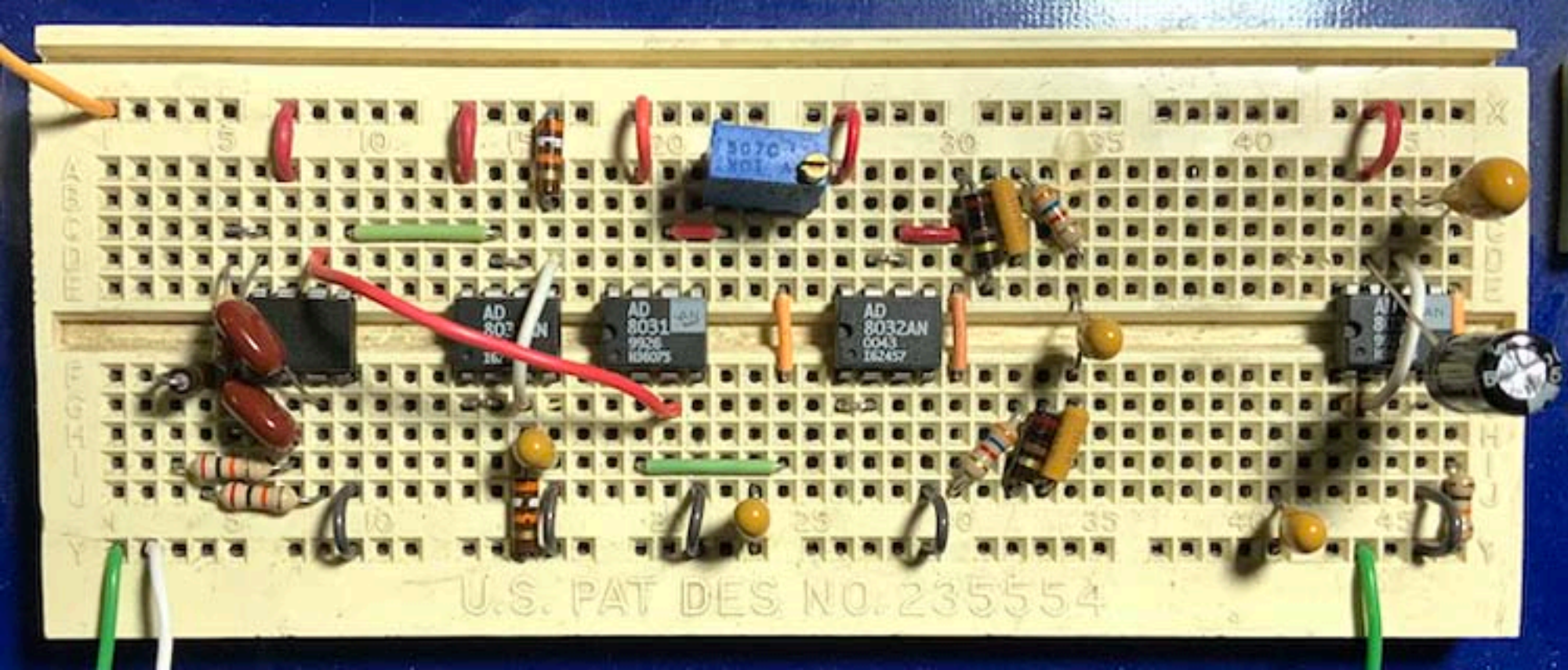
Schematic (Stock Big Muff)



Schematic (Green Big Muff)







U.S. PAT DES. NO. 235554